

Chapter 12 – Supplemental

Table Of Contents	1
Fig 12-01 Unmodified IF sub-chassis, top view (typical older pre-1956 sub-chassis)	2
Fig 12-02 IF sub-chassis, typical, top view.	3
Fig 12-03 Unmodified IF sub-chassis, bottom view, rear section.	4
Fig 12-04 IF sub-chassis, MOD 1, bottom view, rear section	5
Fig 12-05 IF sub-chassis, MOD 1, bottom view, rear section.	6
Fig 12-06 IF Unmodified IF sub-chassis, bottom view. Rear section.	7
Fig 12-07 IF Non-modified IF sub-chassis, bottom view, front section	8
Gear train, exploded view	9
Calibration and antenna relay test setup	11

Note: attempts were made to get the authors permission. Some material is in the public domain and some is openly available on the internet and attribution is given.

There is a considerable additional information for the R390A from other TM's. Also there are miscellaneous items of interest so they were added to this chapter. It is not set up in any particular way. Basically information is added as it was received or found.

The 21st Century R-390A/URR Reference Y3K-R3

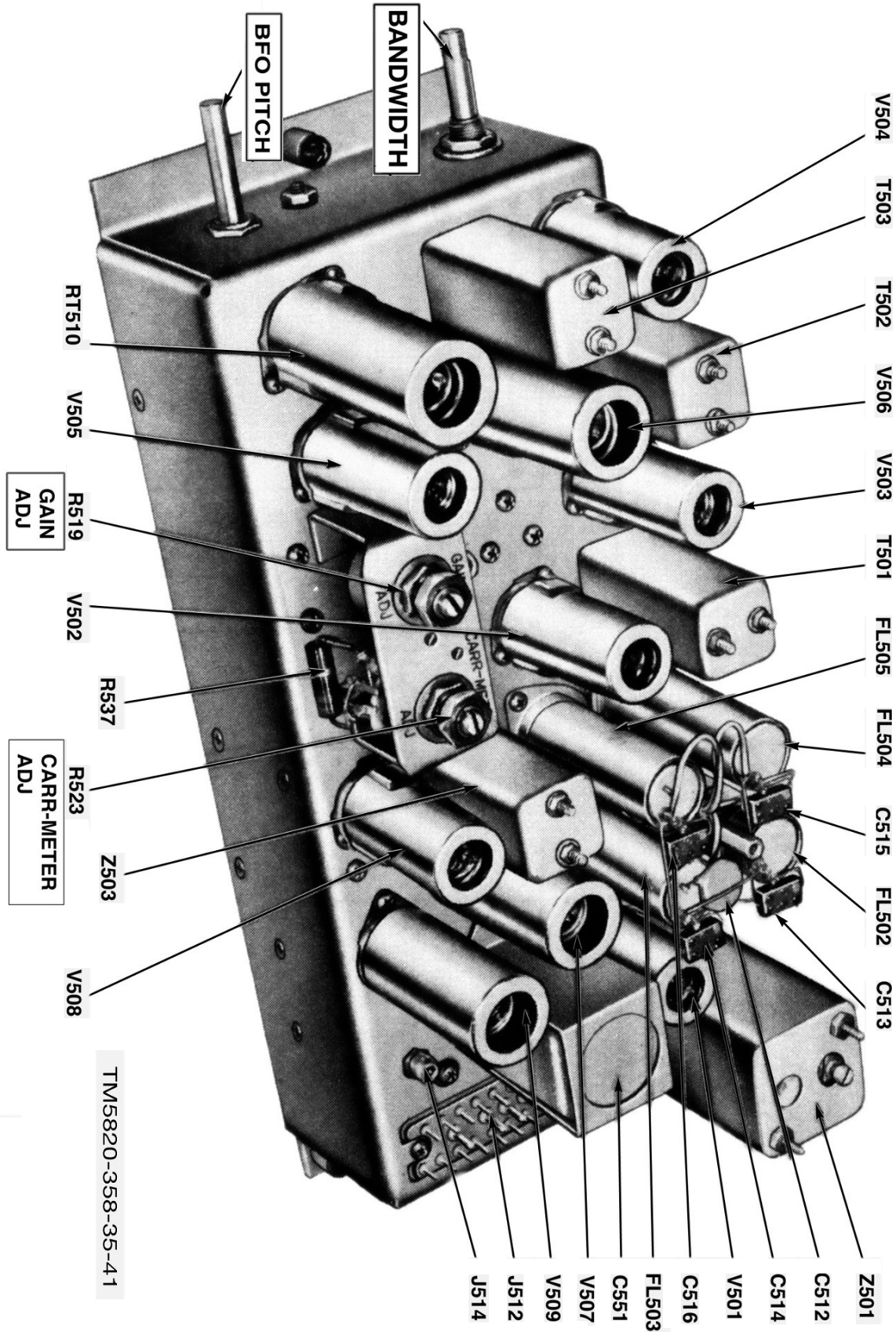


Fig 12-01 Unmodified IF sub-chassis, top view (typical older pre-1956 sub-chassis, note lack of trimmers on IF filters. (Fig 38)

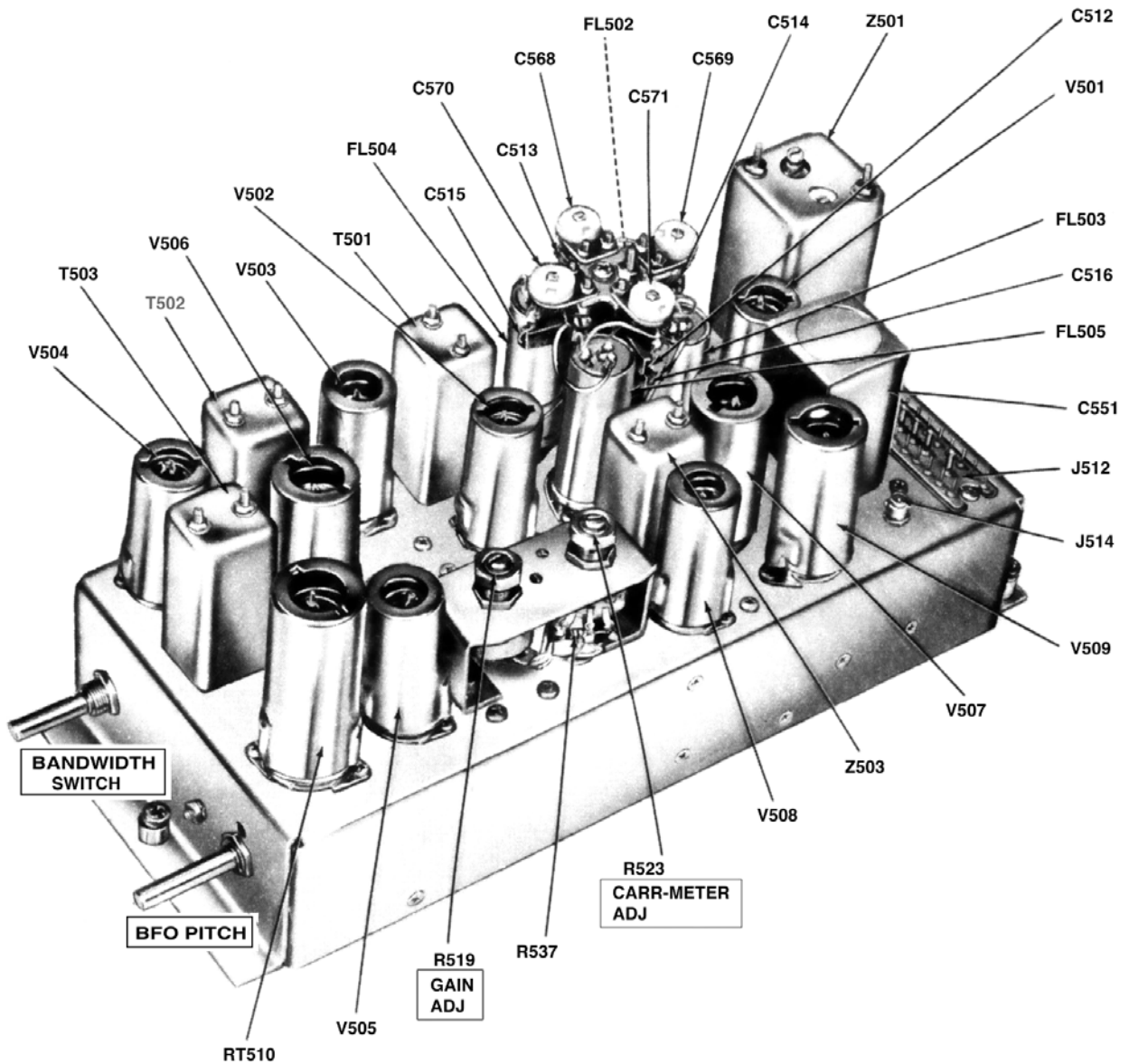


Fig 12-02 IF sub-chassis, typical, top view. (MOD 1 Order No. 363-Phila-54 and all IF sub-chassis on Order No 14-Phila-56 and later decks.) (Fig 39)

The 21st Century R-390A/URR Reference Y3K-R3

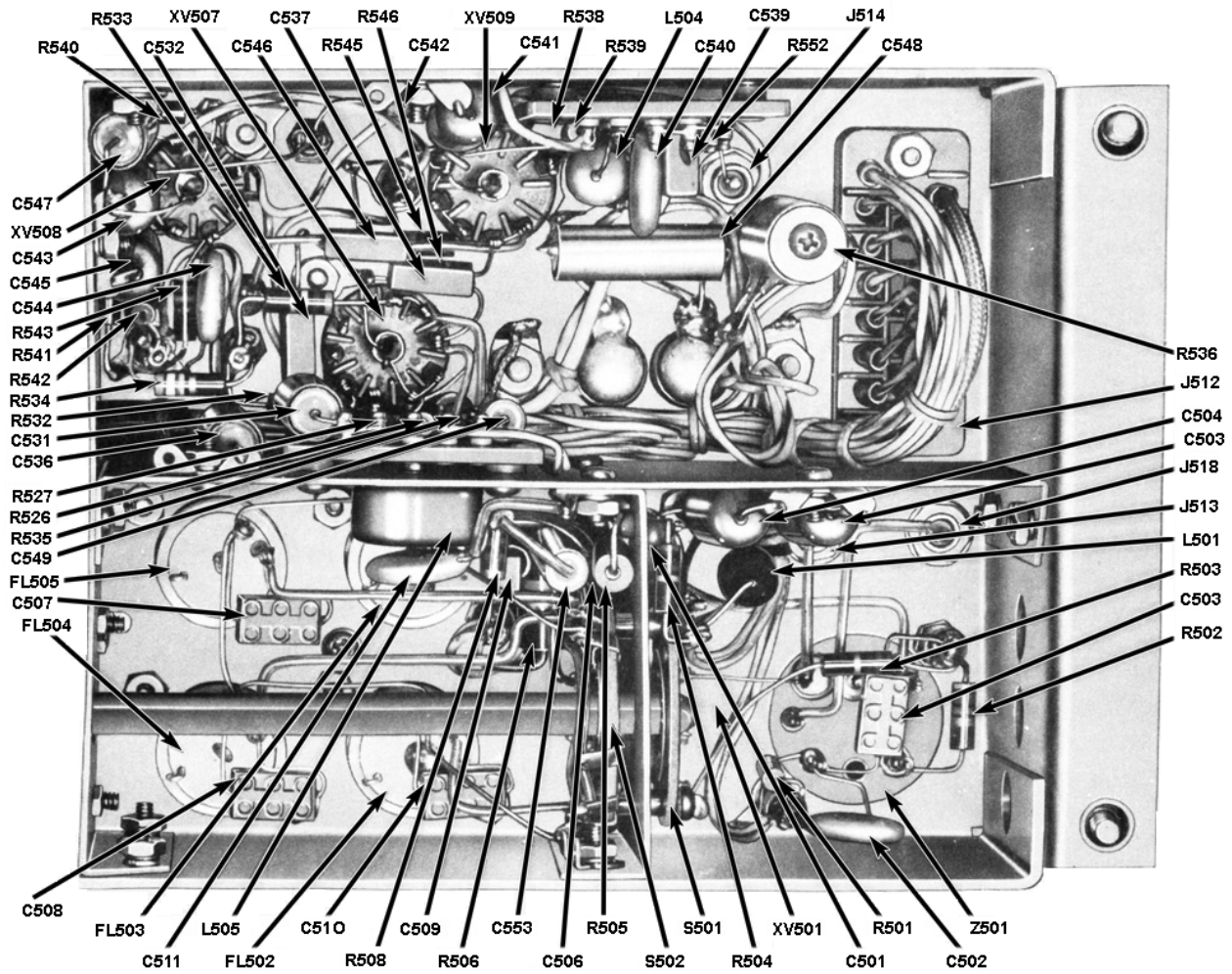


Fig 12-03 Unmodified IF sub-chassis, bottom view, rear section. (Fig 40)

The 21st Century R-390A/URR Reference Y3K-R3

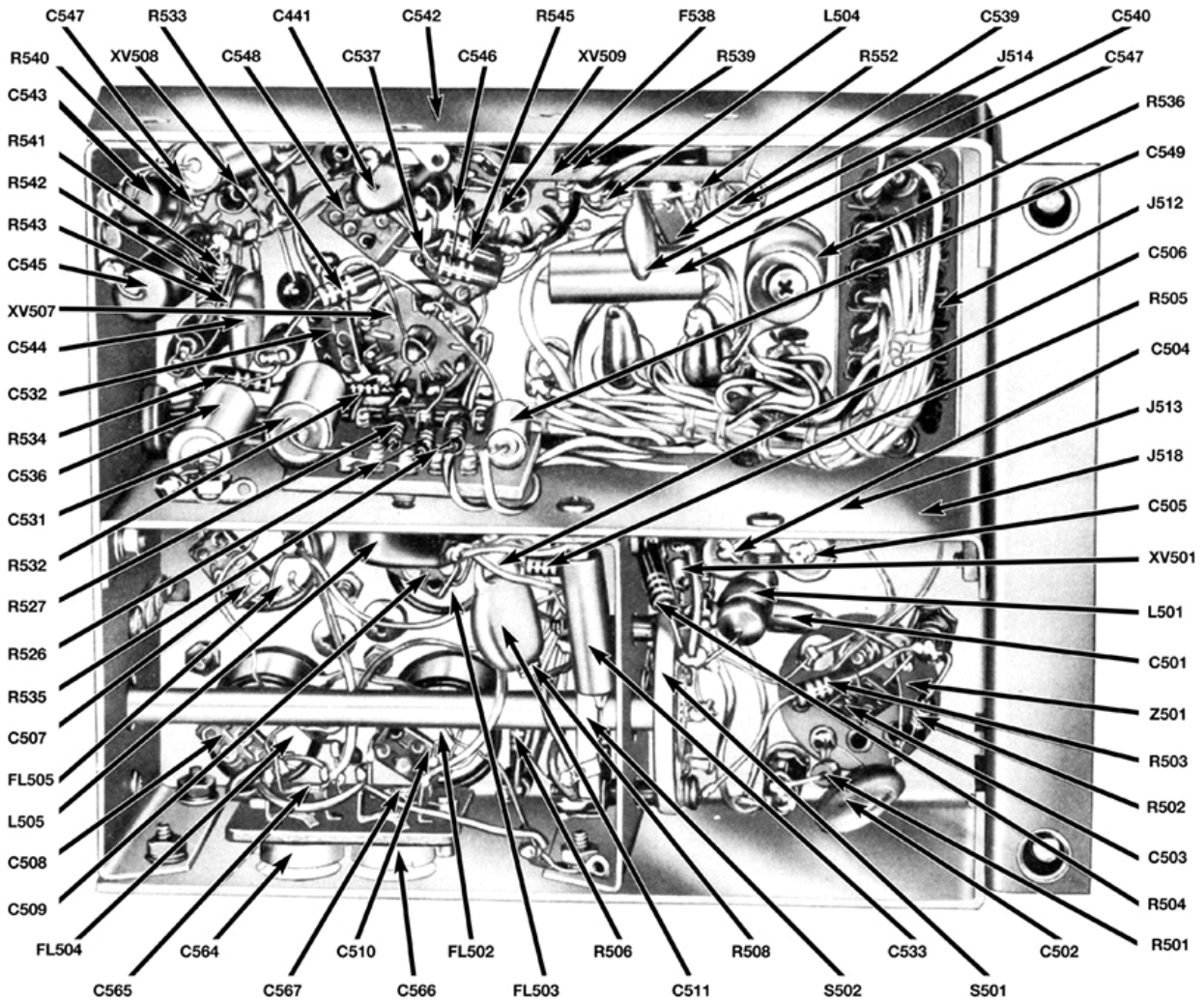


Fig 12-04 IF sub-chassis, MOD 1, Order No. 363-Phila-54 and all later Order No's, bottom view, rear section. (Fig 41)

The 21st Century R-390A/URR Reference Y3K-R3

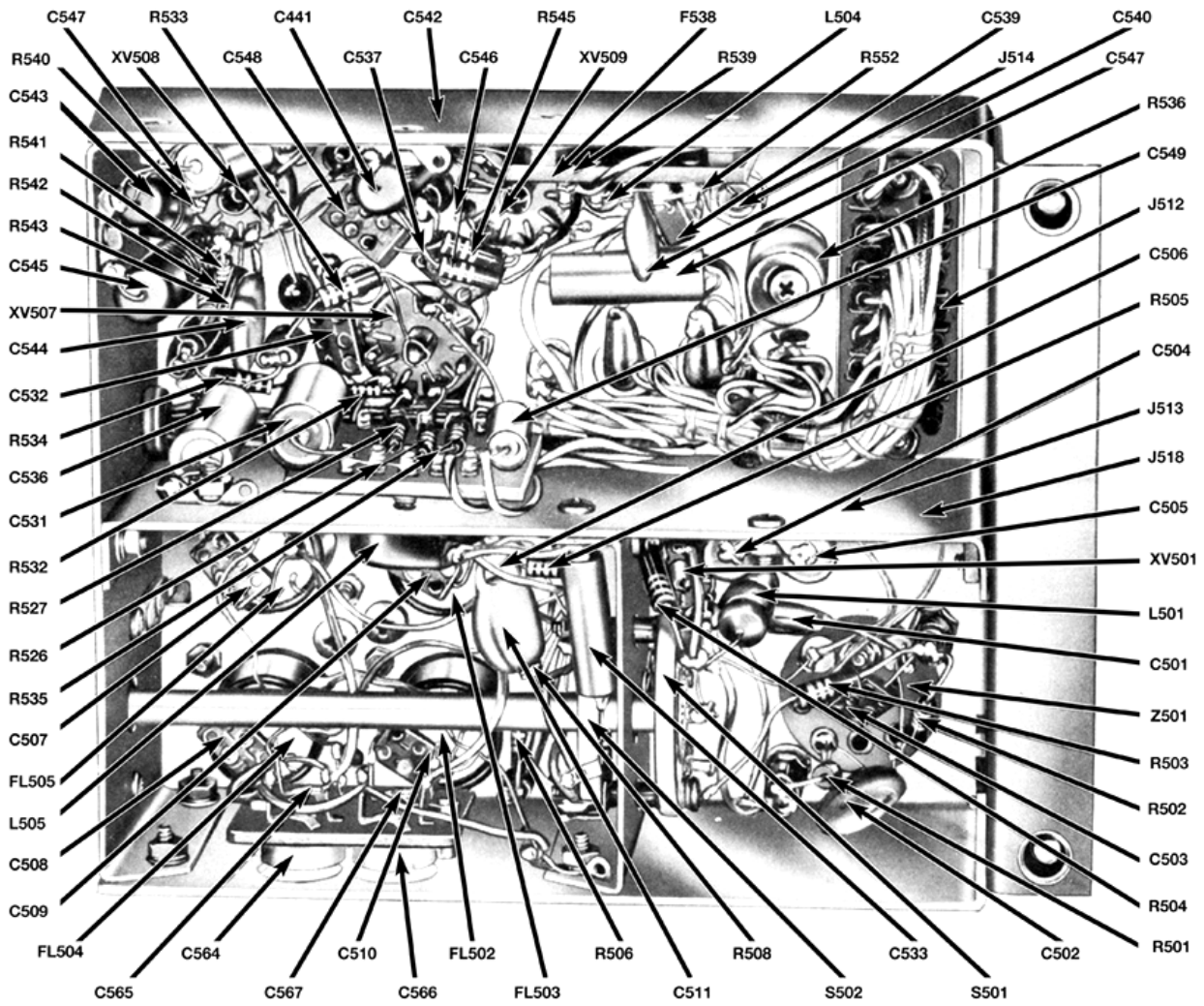


Fig 12-05 IF sub-chassis, MOD 1, Order No. 363-Phila-54 and all later Order No's, bottom view, rear section.

The 21st Century R-390A/URR Reference Y3K-R3

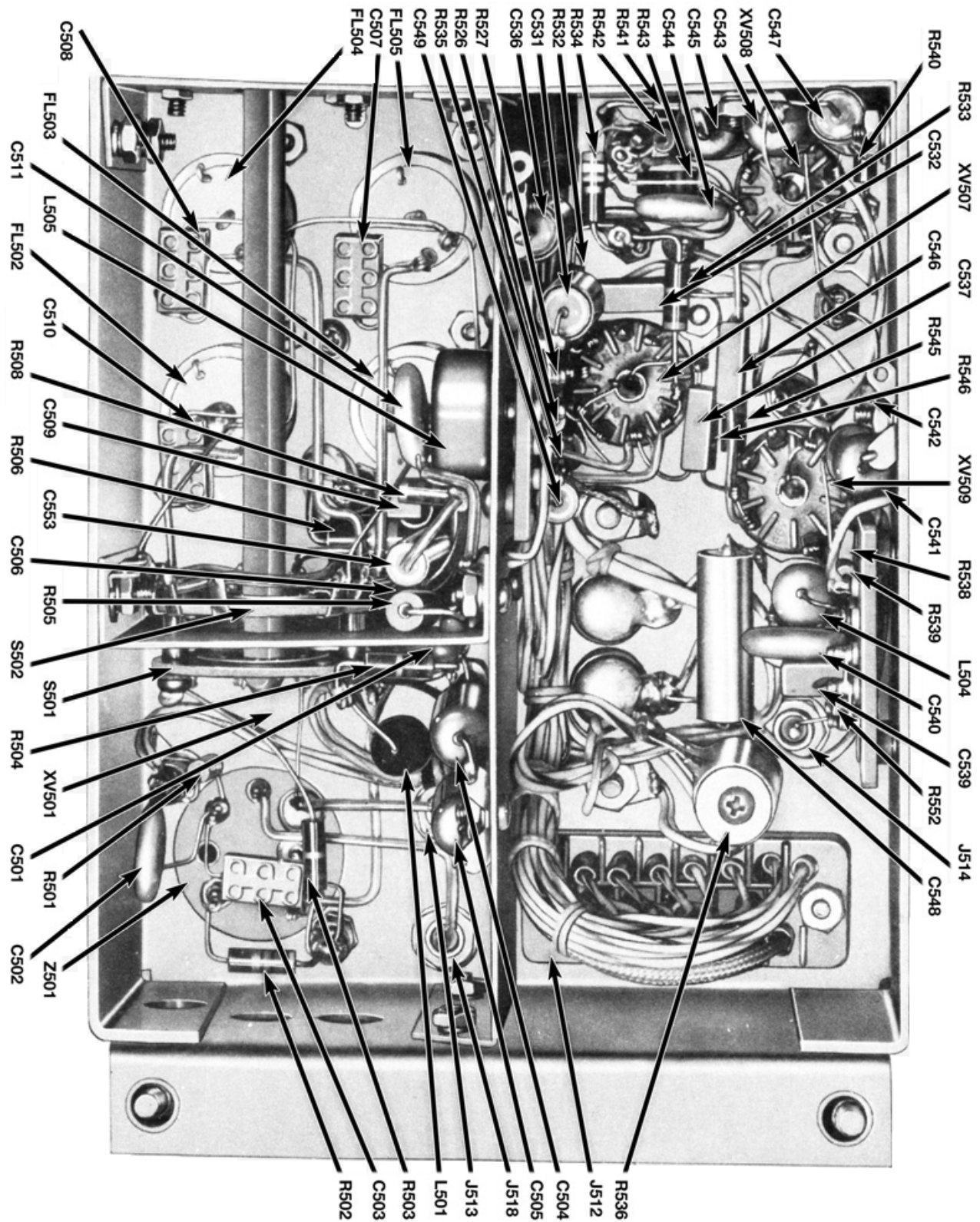


Fig 12-06 IF Unmodified IF sub-chassis, bottom view. Rear section. (Fig 40)

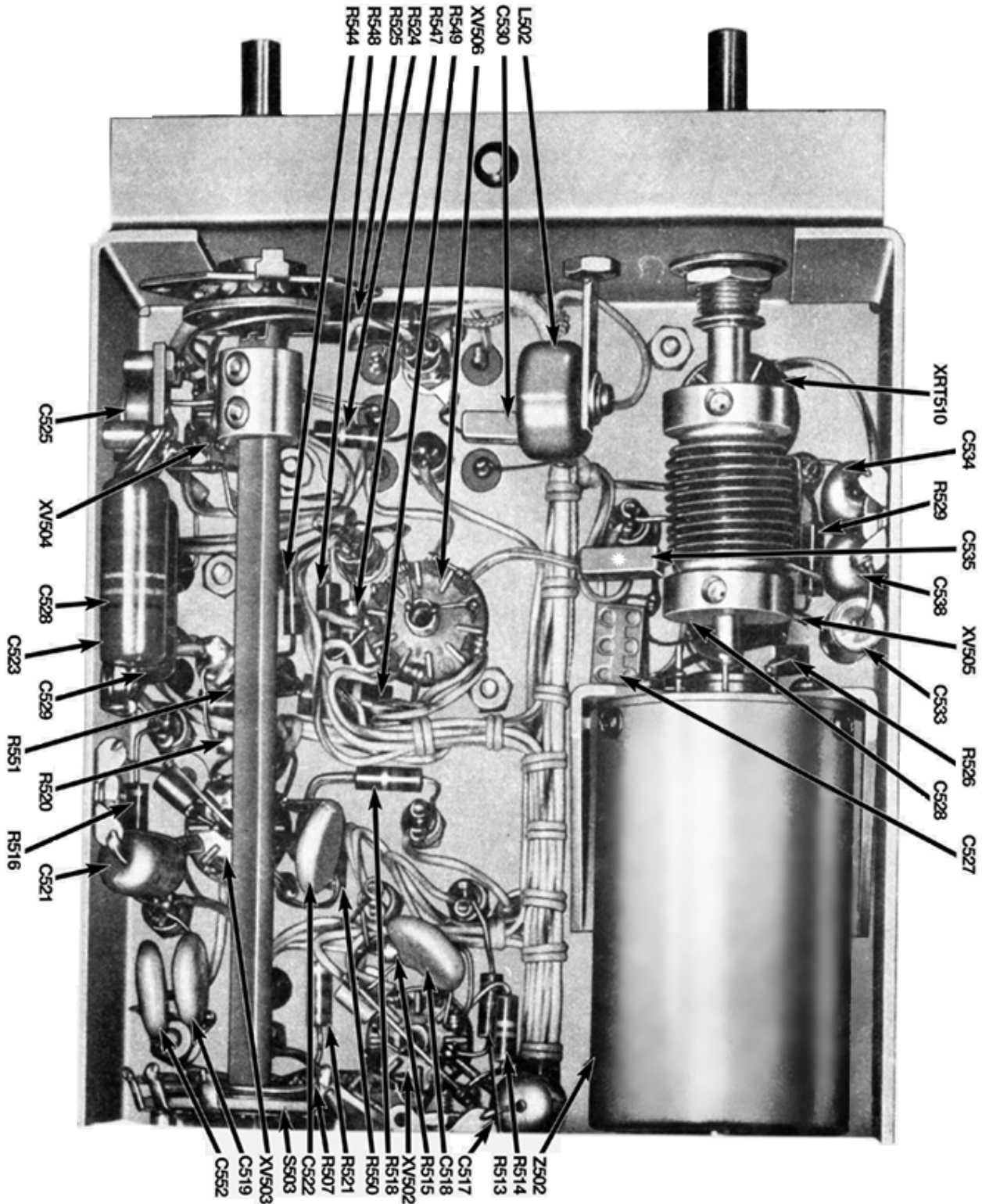


Fig 12-07 IF Non-modified IF sub-chassis, bottom view, front section

The 21st Century R-390A/URR Reference Y3K-R3

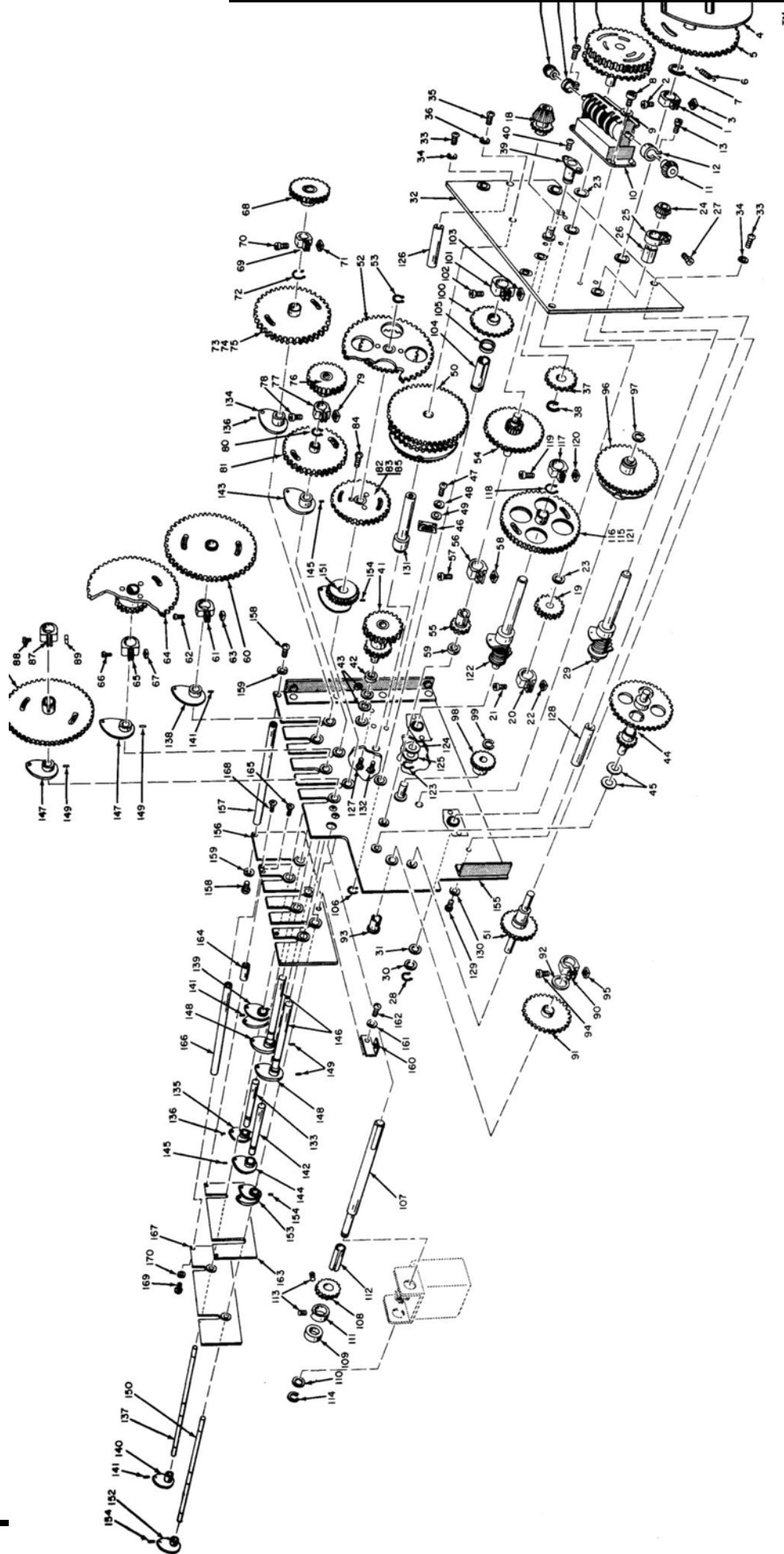
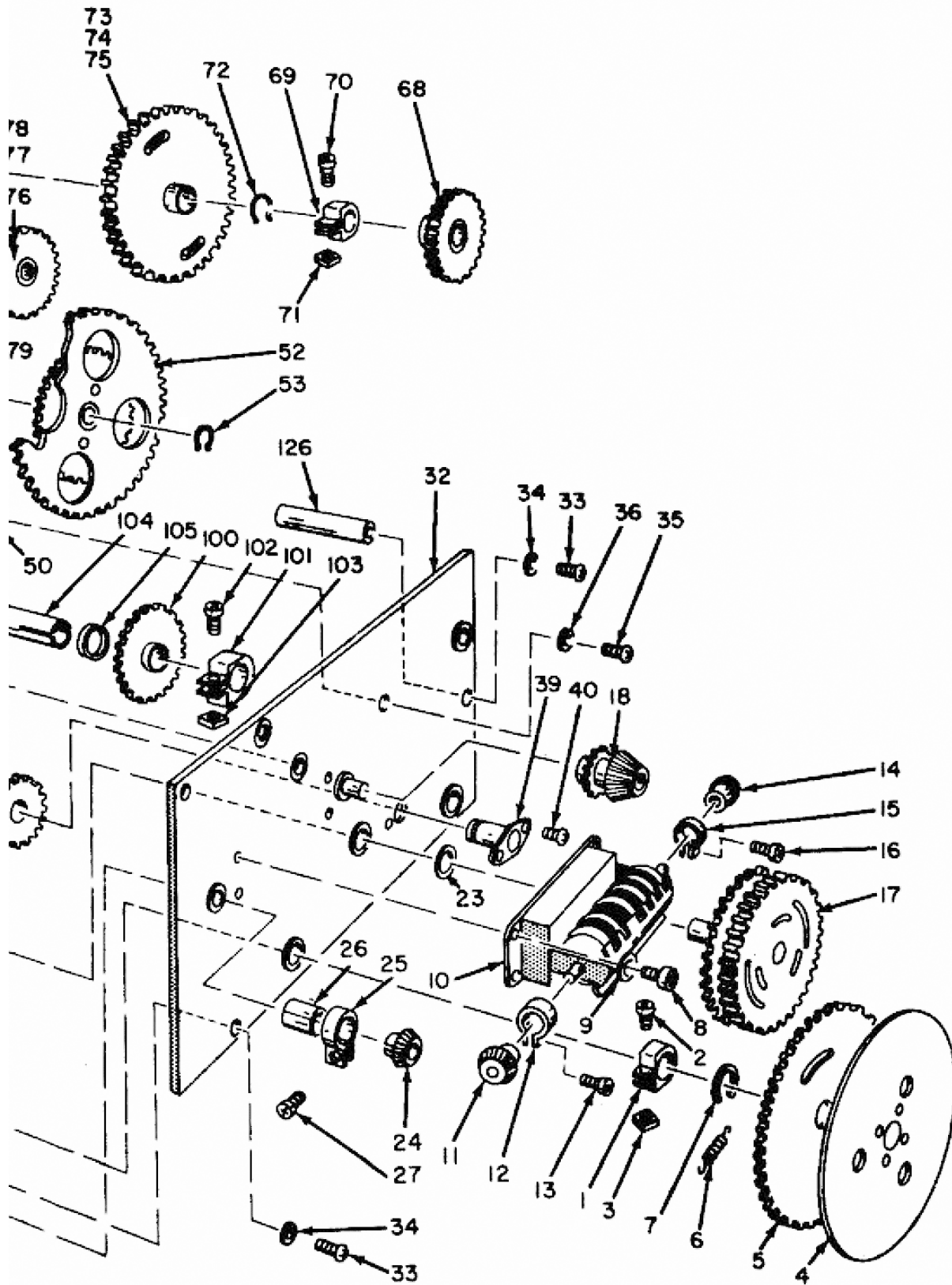


Figure 84. Rf gear train assembly, exploded view.



TM856A-65

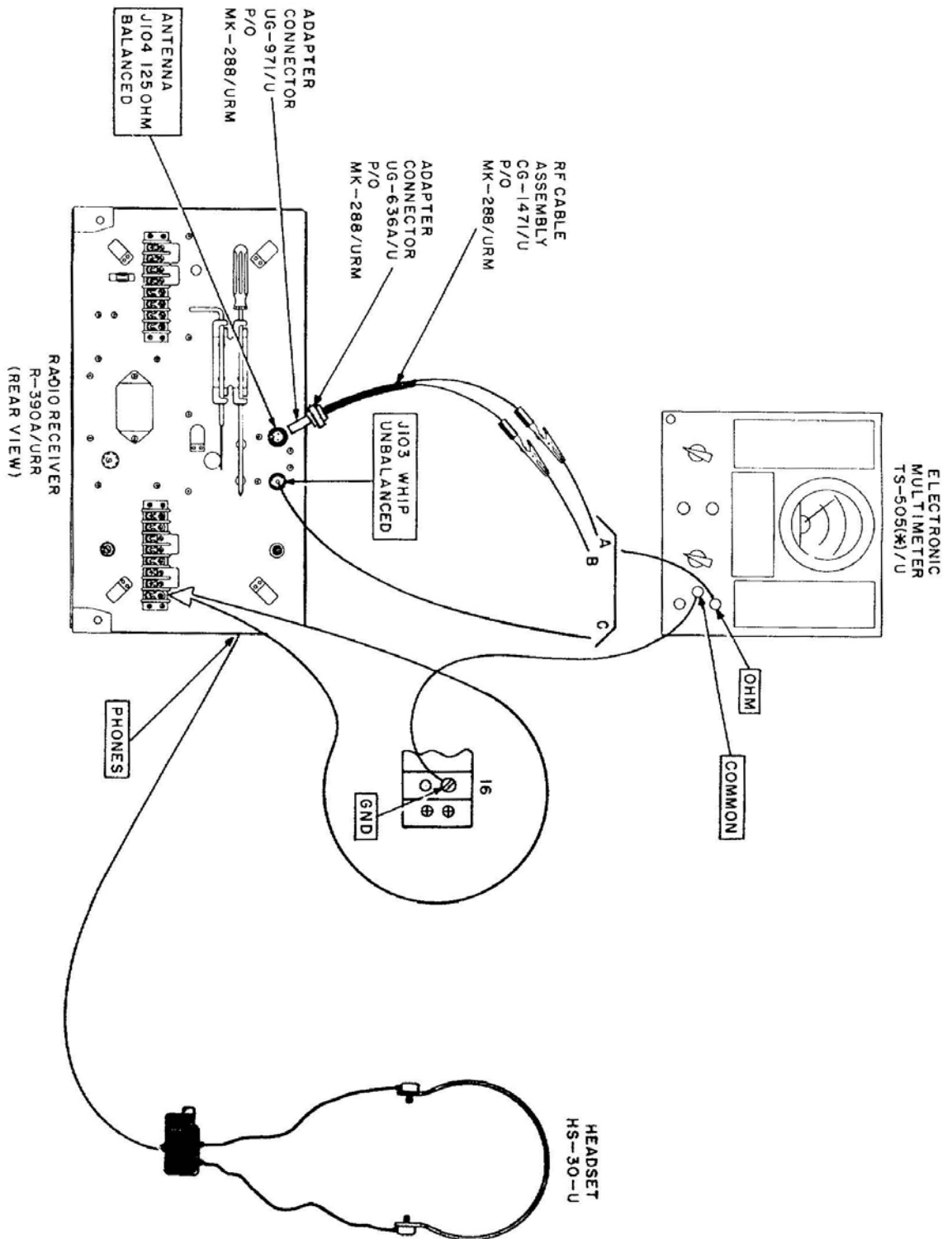


Figure 75. Calibration and antenna relay test setup.