

**TEMPORARY CORRECTION T-1 TO TECHNICAL MANUAL FOR  
RADIO RECEIVER R-390A/URR  
NAVSHIPS 93053**

This temporary correction revises the manual to reflect the equipment changes made by Field Change 3-R-390A/URR. The purpose of this field change is to alter the electrical access at the rear of the receiver from terminal strips (TB102, TB103) to "AN" type connectors. If it becomes necessary to remove the receiver from its cabinet, it will be necessary only to unfasten three connectors instead of the individual wires at the terminal strips. The field change applies to all R-390A/URR receivers, all serial numbers.

Maintenance Support Activities shall make this correction in the technical manual immediately but shall keep the superseded data intact for support of equipments that have not been modified.

Holders of equipment accompanied by technical manuals shall not make this correction in the manuals until accomplishment of the field change.

Make the following pen-and-ink corrections. Insert this temporary correction in the technical manuals immediately after the front cover.

<u>PAGE NO</u>	<u>PARA &amp; LINE or FIG &amp; LOCATION</u>	<u>ACTION</u>
Volume I		
11	Figure 7	Add: "This panel is now modified. See Figure 1 of this correction."
Volume II		
9	Figure 5	Delete those parts of the illustration associated with: <ul style="list-style-type: none"> <li>(a) "600 ohm speaker"</li> <li>(b) "To 115/230 volts AC 48 to 62 CPS"</li> <li>(c) "Balanced 600 ohm audio line to auxiliary equipment"</li> </ul>

The cables are now terminated with "AN" plugs which are connected to the receptacles shown in Figure 1 of this temporary correction.

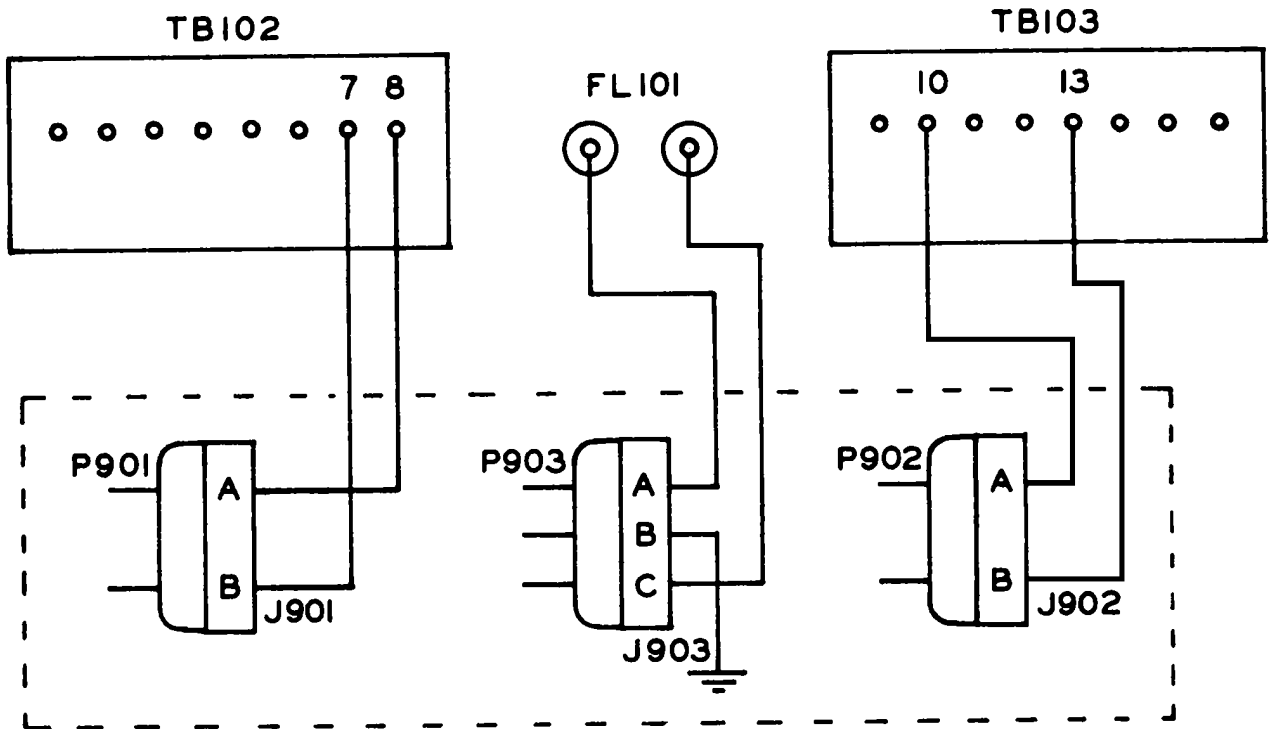
7 August 1963

<u>PAGE NO</u>	<u>PARA &amp; LINE or FIG &amp; LOCATION</u>	<u>ACTION</u>
12, 14, 15	Figure 7	Delete illustrations 8 to 19 inclusive
13	WARNING	Change: "...connect GND terminal 16 on the rear panel to the same ground as the power source." to: "...be sure that the receiver is grounded to the same source as the AC power."
21	15 (e) Step 2	Delete: "Loudspeaker connected to LOCAL AUDIO terminals 6 and 7, or..."
	Step 3	Add after 13: "via P902 and J902."  Delete: "If 600 ohm line is not available, connect headset to terminals for test purposes."

## Volume III

126	Figure 75	Delete "16 GND" and add: "Ground common lead at any convenient point on the receiver."
130	Figure 76	Add: "Connections to terminal strips TB102 and TB103 must be made from inside the receiver."
134	Figure 77	Same as Figure 76.
140	Figure 79	Same as Figure 76.
142	Figure 80	Same as Figure 76.
179	Figure 89 (Sheet 2)	Add: "For wiring of connector channel on back panel of receiver, see Figure 1 of this correction.  It is recommended that Figure 1 be inserted between Figure 89(1) and Figure 89(2)."

SUPPLEMENTAL SCHEMATIC DIAGRAM  
 FIGURE 89 (2) — NAVSHIPS 93053



J901 IS MS3102A10SL-4P  
 J902 SAME AS J901  
 J903 IS MS3102A16S-5P

P901 IS MS3108B-10SL-4S  
 P902 SAME AS P901  
 P903 IS MS3108B-16S-5S

P901-P902 HAVE CABLE CLAMP MS3057-4  
 P903 HAS CABLE CLAMP MS3057-8

FIGURE I.